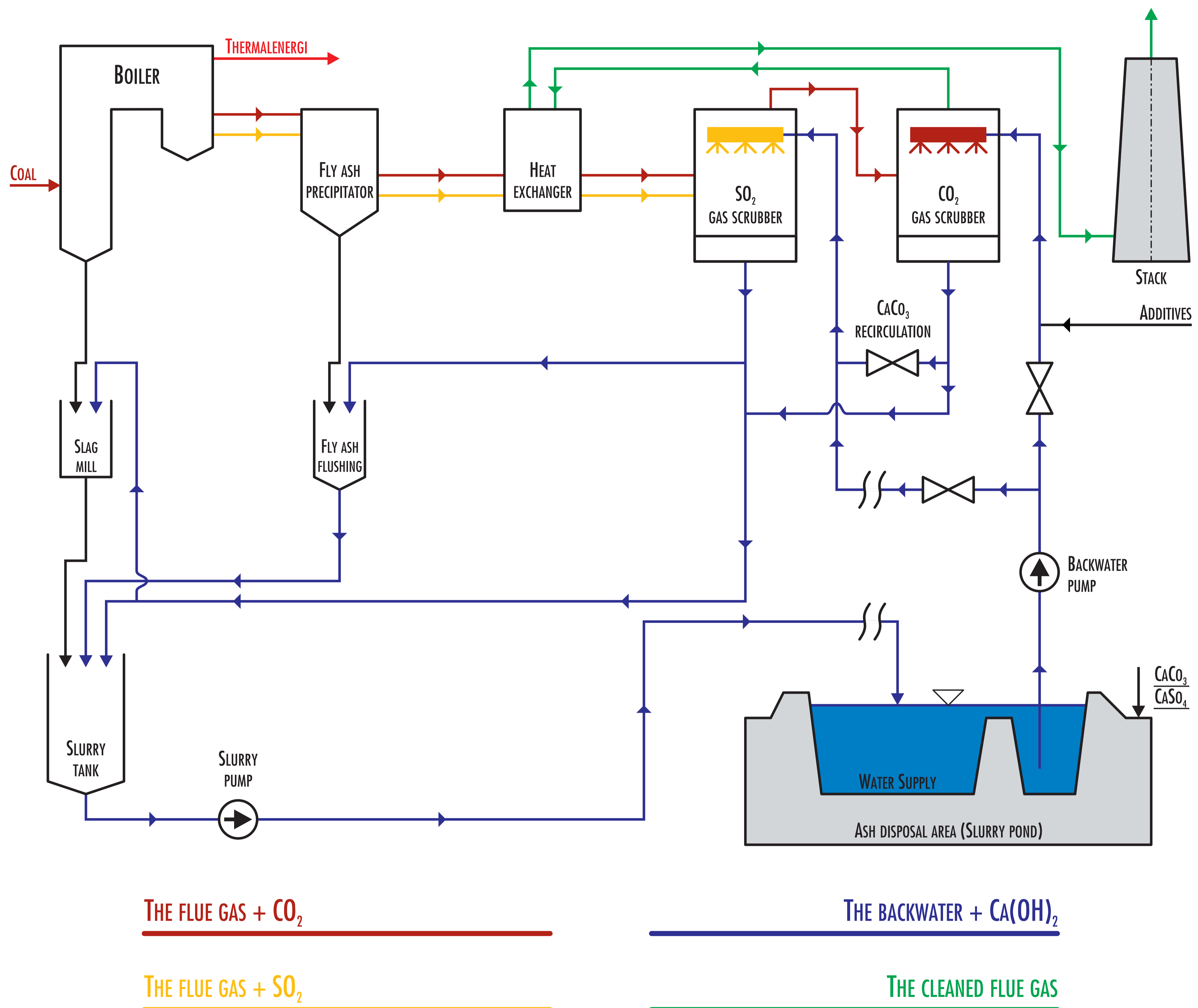


REDUCTION OF CARBON DIOXID EMITTED IN THE FLUE GAS



THE METHOD IS BASED ON THE FOLLOWING

the CO₂ produced from coal-burning then getting into and leaving with the flue gas, can be bound with Ca(OH)₂ solution produced continuously from the calcium carbonate content of the coal.